

Basic Rack PDU

Rack PDU, Basic, Zero U, 16A, 230V, (20) C13 & (4) C19; IEC C20



APC Basic Rack PDU , Input: 230V , Input Connections: IEC-320 C20 , Cord Length: 10 feet (3.05 meters) , Output: 230V , Output Connections: IEC 320 C13, IEC 320 C19

Includes: Installation guide, Rack Mounting brackets, Toolless Mounting Kit

Standard Lead Time: Usually in Stock


AP7552 Features

Toolless Mounting Capabilities	Units do not require additional tools to mount into APC NetShelter VX, which allows the users to quickly and easily mount units in the rear of the enclosure.
Vertical Mounting Capabilities	Easily mounts vertically in racks or enclosures and occupies zero U of valuable rack space, which allows more equipment in the rack. Units that mount vertically are optimized to fit in a NetShelter VX enclosures.

Basic Rack PDU Features & Benefits

Agility	
Rack-Mountable	Includes horizontal, vertical, and toolless-mount varieties. Puts power where it is needed most - in the racks near the equipment.
Single input power source	Supply power from one branch whip to multiple pieces of equipment, conveniently powering rack-mount equipment. Saves time and money during installation by using one branch whip and standard connections.
Wide range of input and output connections	Product family includes a variety of input and output connections to distribute 120V, 208V, or 230V power to multiple outlets. Having a variety of inputs and outputs allow users to adapt to varying power requirements. APC offers units that bring up to 14.4kW using a single branch whip.

Output

Nominal Output Voltage	230V	
Maximum Total Current Draw per Phase	16A	
Output Connections	(20) IEC 320 C13 (4) IEC 320 C19	

Input

Nominal Input Voltage	230V
Input Frequency	50/60 Hz
Input Connections	IEC-320 C20
Cord Length	10 feet (3.05 meters)
Number of Power Cords	1
Maximum Input Current per phase	16A
Load Capacity	3680 VA

Physical

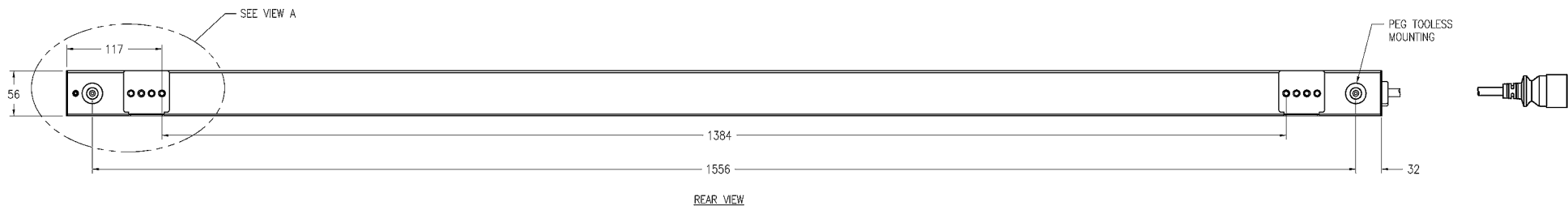
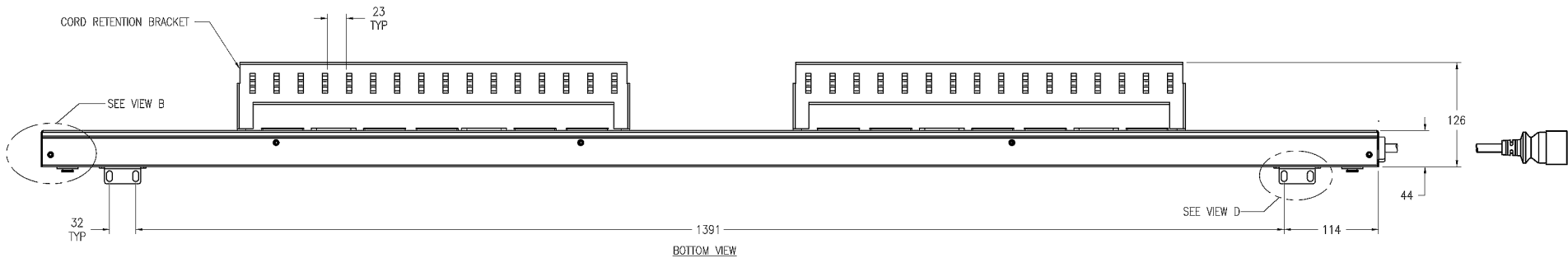
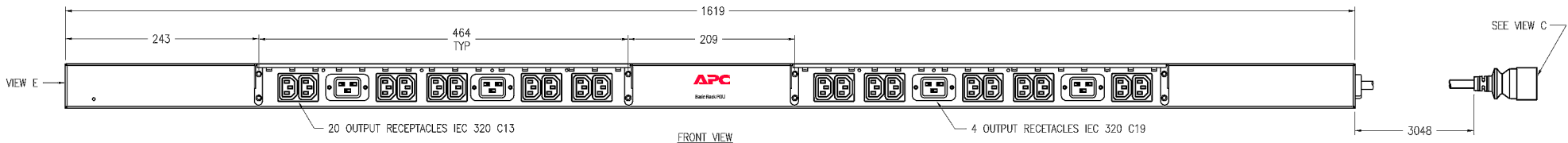
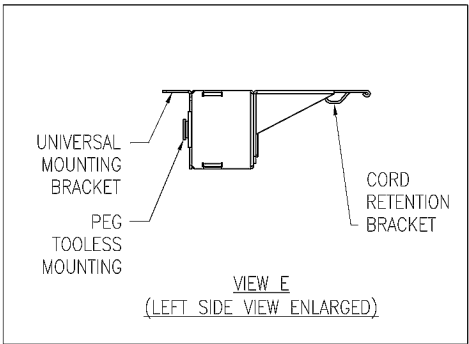
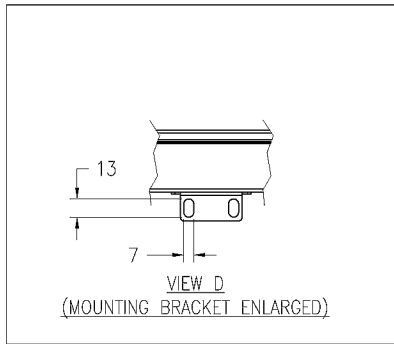
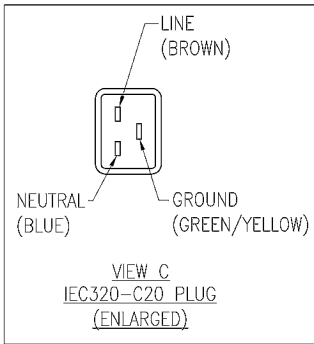
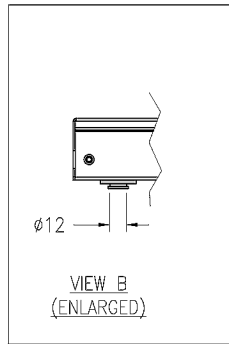
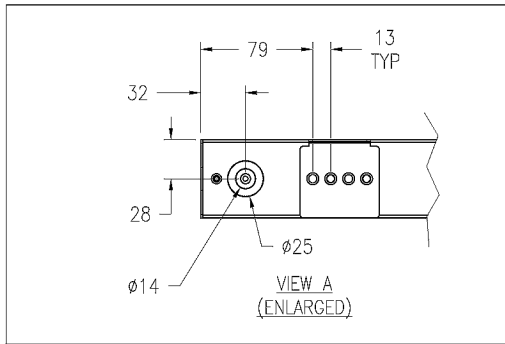
Net Weight	10.70 lbs. (4.86 kg)
Maximum Height	63.75 inches (1619 mm)
Maximum Width	2.20 inches (56 mm)
Maximum Depth	1.73 inches (44 mm)
Shipping Weight	12.70 lbs. (5.77 kg)
Shipping Height	84.00 inches (2134 mm)
Shipping Width	6.00 inches (152 mm)
Shipping Depth	5.00 inches (127 mm)
Color	Black

Environmental

Operating Environment	32 - 113 °F (0 - 45 °C)
Operating Relative Humidity	5%
Operating Elevation	0-10000 feet (0-3000 meters)
Storage Temperature	-13 - 149 °F (-25 - 65 °C)
Storage Relative Humidity	5%
Storage Elevation	0-50000 feet (0-15000 meters)

Conformance

Regulatory Approvals	CCC,CE,GOST,IRAM,VDE
Standard Warranty	2 years repair or replace
ROHS/WEEE Compliance	RoHS 7b Exemption



NOTES:

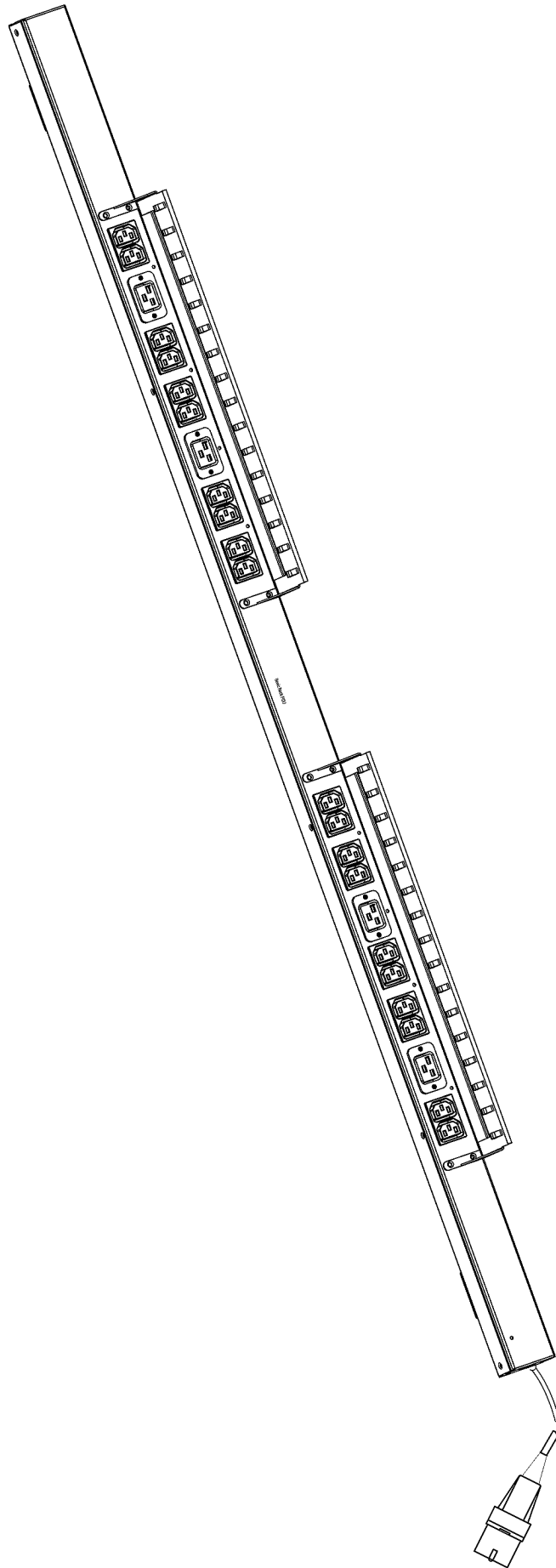
1. INSTALLATION SHALL COMPLY WITH ALL APPLICABLE NATIONAL, STATE AND LOCAL CODES.
2. PLEASE REFER TO APC PRODUCT MANUAL.
3. ALL DIMENSIONS ARE IN MILLIMETERS.
4. NET WEIGHT IS 4.86 kg [10.70 lbs].
5. BRACKET KITS TO MOUNT TO SPECIFIC COMPETITORS RACKS ARE AVAILABLE AS OPTIONS.

THIS DRAWING AND SPECIFICATIONS HEREIN ARE THE PROPERTY OF AMERICAN POWER CONVERSION AND SHALL NOT BE COPIED, REPRODUCED OR USED IN WHOLE OR IN PART, AS THE BASIS FOR THE MANUFACTURE OR SALE OF ITEMS WITHOUT WRITTEN PERMISSION FROM APC. THIS DRAWING IS BASED UPON LATEST AVAILABLE INFORMATION AND IS SUBJECT TO CHANGE WITHOUT NOTICE.



TITLE: RACK, PDU, BASIC, ZERO U
 INPUT: 230V, 16A, IEC-320-C20
 OUTPUT: (20) IEC320 C13 AND (4) IEC320 C19
 MAIN MECHANICAL
 PROJECT: SUBMITTAL DRAWINGS SHEET 1 OF 2

DWG NO:	AP7552	REV:	0
DRAWN:	B ZAHN	ANGLE PROJECTION:	N/A
ENGINEER:	Y JIANG/T HORSTMANN		
APPROVED:	B SHEPARD/E SILVA/C LARSEN/S WIGH		



THIS DRAWING AND SPECIFICATIONS HEREIN ARE THE PROPERTY OF AMERICAN POWER CONVERSION AND SHALL NOT BE COPIED, REPRODUCED OR USED IN WHOLE OR IN PART, AS THE BASIS FOR THE MANUFACTURE OR SALE OF ITEMS WITHOUT WRITTEN PERMISSION FROM APC. THIS DRAWING IS BASED UPON LATEST AVAILABLE INFORMATION AND IS SUBJECT TO CHANGE WITHOUT NOTICE.



TITLE: RACK, PDU, BASIC, ZERO U
 INPUT: 230V, 16A, IEC-320-C20
 OUTPUT: (20) IEC320 C13 AND (4) IEC320 C19
 ISOMETRIC VIEW
 PROJECT: SUBMITTAL DRAWINGS | SHEET 2 OF 2

DWG NO: AP7552
 DRAWN: B ZAHN
 ENGINEER: Y JIANG/T HORSTMANN
 APPROVED: B SHERIDAN/E SILVA/C LARSEN/S WAGH

REV: 0
 PROJECTION: N/A
 ANGLE: N/A



Basic Rack PDU

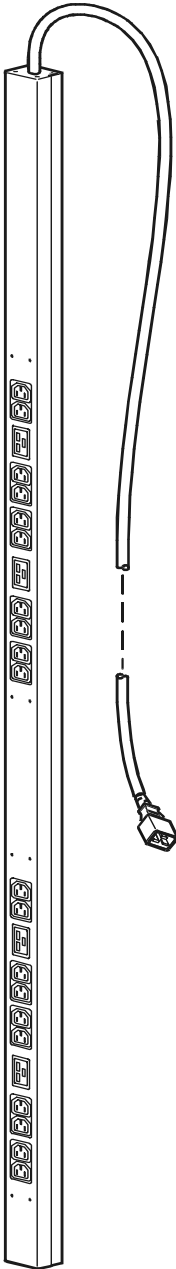
Overview

The American Power Conversion® Basic Rack PDU distributes power to devices in the rack.

Outlets. The Rack PDU has twenty (20) IEC-320-C13 outlets, and four (4) IEC-320-C19 outlets.

Power cord. The 10-foot (3.05-meter) power cord terminates with an IEC-320-C20 connector.

AP7552





Specifications for AP7552

Electrical

Input connector	IEC-320-C20 plug
Output connectors	(20) IEC-320-C13 (4) IEC-320-C19 outlets
Nominal input voltage	230 VAC
Acceptable input voltage	± 10% of nominal voltage
Input frequency	47–63 Hz
Cord length	10 ft (3.05 m)

Physical

Dimensions (H × W × D)	63.75 × 2.19 × 1.73 in (161.92 × 5.56 × 4.39 cm)
Shipping dimensions (H × W × D)	84.00 × 6.00 × 5.00 in (213.36 × 15.24 × 12.7 cm)
Weight	9.5 lb (4.3 kg)
Shipping weight	17 lb (7.7 kg)

Environmental

Maximum elevation (above MSL)	
Operating	15,000 ft (4500 m)
Storage	50,000 ft (15 000 m)
Temperature	
Operating	–5 to 45° C (23 to 115° F)
Storage	–25 to 65° C (–13 to 149° F)
Humidity	
Operating	5–95% RH non-condensing
Storage	5–95% RH non-condensing

Compliance

Safety verification	VDE 0805, CE, EN 60950, IEC 60950
---------------------	--------------------------------------



990-1941-001